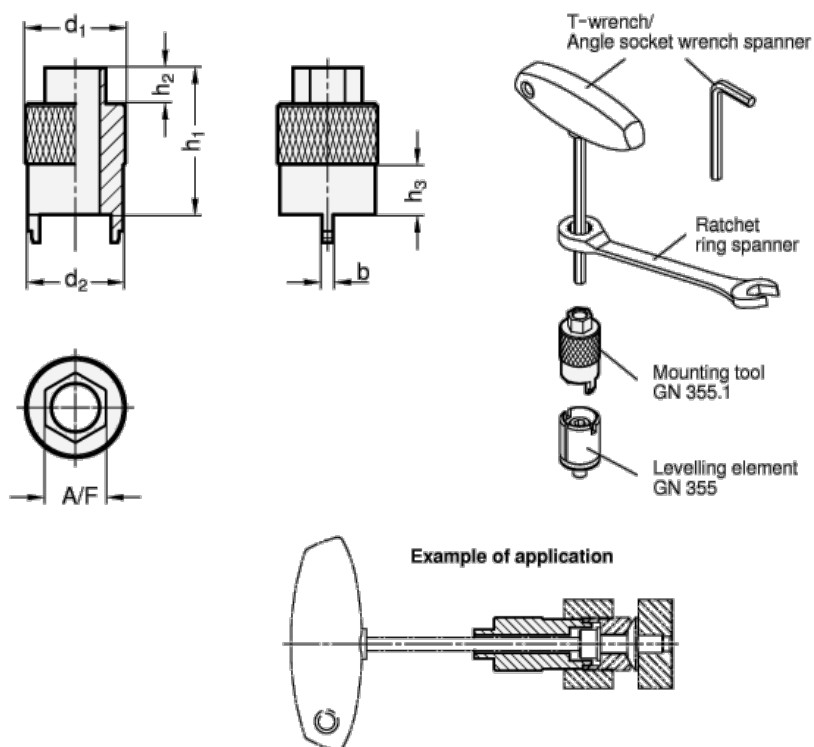


Article number: 20355118

Description: E+G Mounting tool, GN 355.1-18

## Measures



A/F	= 11
b	= 2
d1	= 18
d2	= 17
h1	= 39
h2	= 8
h3	= 9
Max torque pres Nm	= 50

Weight in (g) = 57